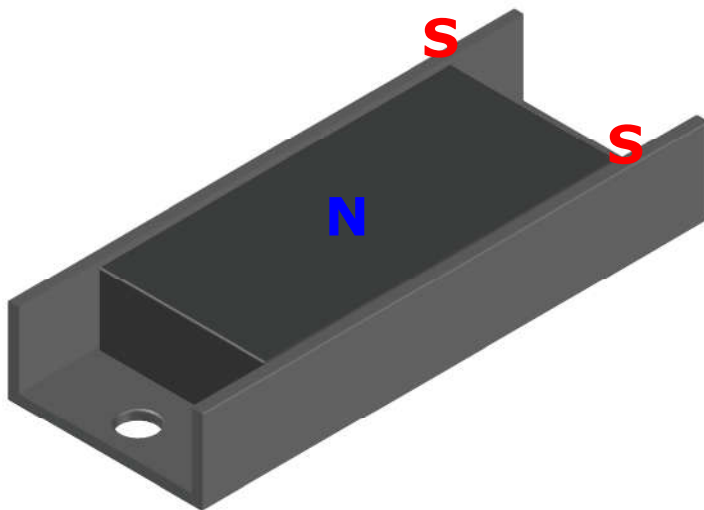
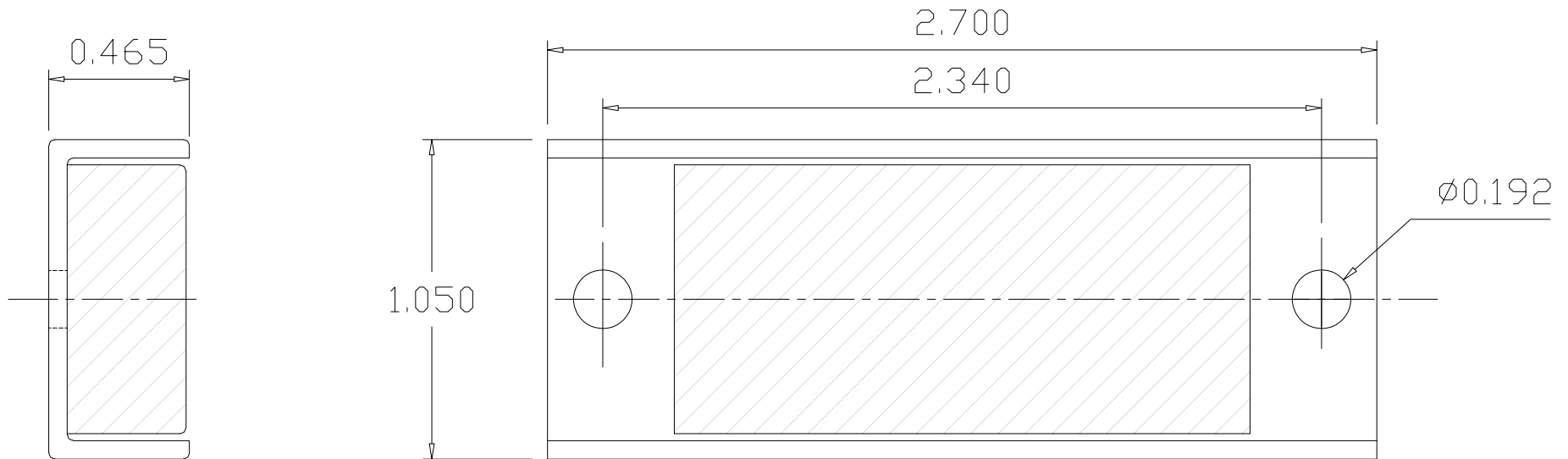


65CJ0001

Revision 3



Specifications:

- 1) Ceramic-5 magnet
- 2) Zinc plated steel channel
- 3) Magnet and channel is glued.
- 4) Pull pounds: 25 lbs typical (Tested on a clean, ground steel plate 0.375" thick)
- 5) Working temperature range: $-40^{\circ}\text{C} \sim 100^{\circ}\text{C}$
- 6) All dimensions are inches